



Our Equipment Works Harder So You Don't Have To

The models VTS-41 and VTS-42 are the tools you need to create the value added, marinated entrees your customers demand. With the VTS-41 and VTS-42 you can marinate most meats and fish in less than 20 minutes, so you can make those value added products in a minimum amount of time. Vacuum marinating distributes the marinade evenly throughout the product, so you get full flavor in every bite. It also adds water and tenderizes the product, so it cooks faster and is juicy and flavorful. Shelf life is extended, freshness, color, and eye appeal are enhanced, so you'll see these products fly off the shelf and your profits jump. The VTS-41 and VTS-42 are incredibly easy to use, too. It only takes 5 minutes to load the product, water, and marinade, and it runs for 20 minutes while you do something else. When a batch is done, you only need 5 minutes to empty the drum and wash it out, and you're ready to do another batch. Best of all, the low machine cost and big boost to your profit margins mean a return on your investment measured in weeks. All of this gives the BIRO Models VTS-41 and VTS-42 Vacuum Marinaters the sweet flavor of success.



VTS-41 SHOWN
REMOTE PUMP NOT SHOWN

VTS-41/42



**Stands alone for quality
and value since 1921**

SPECIFICATIONS

MODEL VTS-41 VACUUM MARINATING TUMBLER W/REMOTE PUMP.
VTS-42 VACUUM MARINATING TUMBLER W/SELF CONTAINED PUMP.

ELECTRICAL CONSTRUCTION MOTORS 1/25 HP (44 W), 115 VOLTS, 60 HZ, 1 PHASE, 6' CORD AND 3-PRONG PLUG.
STAINLESS STEEL EXCEPT THE WHEELS AND LID GASKETS.

VTS-41

MOTOR	HP	KW	VOLTS	AMPS	HERTZ	PH	CODE
DRIVE	1/25	.03	115	.61	60	1	STD
PUMP	1/8	.09	115	4.20	60	1	STD

VTS-42

MOTOR	HP	KW	VOLTS	AMPS	HERTZ	PH	CODE
DRIVE	1/25	.03	115	.61	60	1	STD
PUMP	1/8	.09	115	4.20	60	1	STD
DRIVE	1/25	.03	220	.31	60	1	EC
PUMP	1/8	.09	220	2.10	60	1	EC
DRIVE	1/25	.03	220	.25	50	1	EC
PUMP	1/8	.09	220	2.00	50	1	EC

STD=STANDARD

EC=EXTRA COST

DRUM CAPACITY 40 POUND (18 KG) DRUM, MAXIMUM, 25 LBS (11 KG) OPTIMUM.

DRIVE MOTOR 1/25 HP (44 W).

VACUUM PUMP 1/8 HP (138 W) WITH FILTER VTS-41.
1/8 HP (138 W) WITH EXTERNAL FILTER ON CASE VTS-42.

TUMBLE SPEED APPROXIMATE 8 RPM.

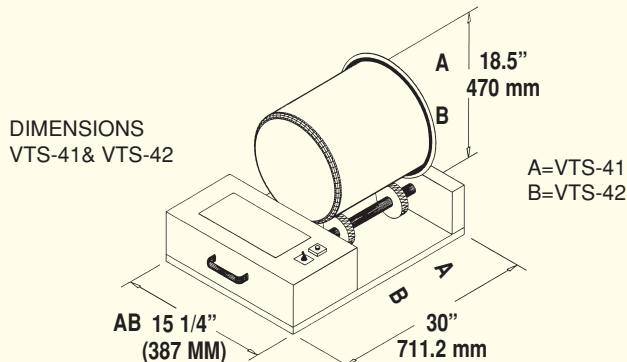
STANDARD FEATURES 6' CORD AND 3 PRONG PLUG, 115-60-1.
6' CORD, NO PLUG, 220-60-1 AND 220-50-1.
OPERATING AND SAFETY MANUAL.

OPTIONS (EC) VARIABLE SPEED (0-14), TUMBLER CART, WOOD BOX.
220-60-1 & 220-50-1 FOR VTS-42 ONLY.

CERTIFICATION U.L., N.S.F.

WEIGHT VTS-41 – 58 LBS. (26.3 KG) CARTON #1; 37 LBS. (16.8 KG) CARTON #2 (DRUM).
VTS-42 – 70 LBS. (31.8 KG) CARTON #1; 20 LBS. (9.1 KG) CARTON #2 (DRUM).

DIMENSIONS PACKED VTS-41 CARTON 1: 16"L (406 MM) X 30"W (762 MM) X 10"H (254 MM).
CARTON 2: 16"L (406 MM) X 16"W (406 MM) X 19"H (483 MM).
VTS-42 CARTON 1: 16"L (406 MM) X 30"W (762 MM) X 10"H (254 MM).
CARTON 2: 20"L (508 MM) X 18" W (457 MM) X 21"H (533 MM).



THE BIRO MANUFACTURING COMPANY
1114 WEST MAIN STREET
MARBLEHEAD, OH 43440-2099 U.S.A.
Phone: (419) 798-4451
Fax: (419) 798-9106
<http://www.birosaw.com>
sales@birosaw.com

ALL SPECIFICATIONS CONTAINED HEREIN ARE SUBJECT TO CHANGE WITHOUT NOTIFICATION.

ITEM NO.: LIT-VTS-41/42-279
FORM NO.: Md VTS-41/42-279-10-06-02-ENG-MARK

Service is available from over 245 locations worldwide